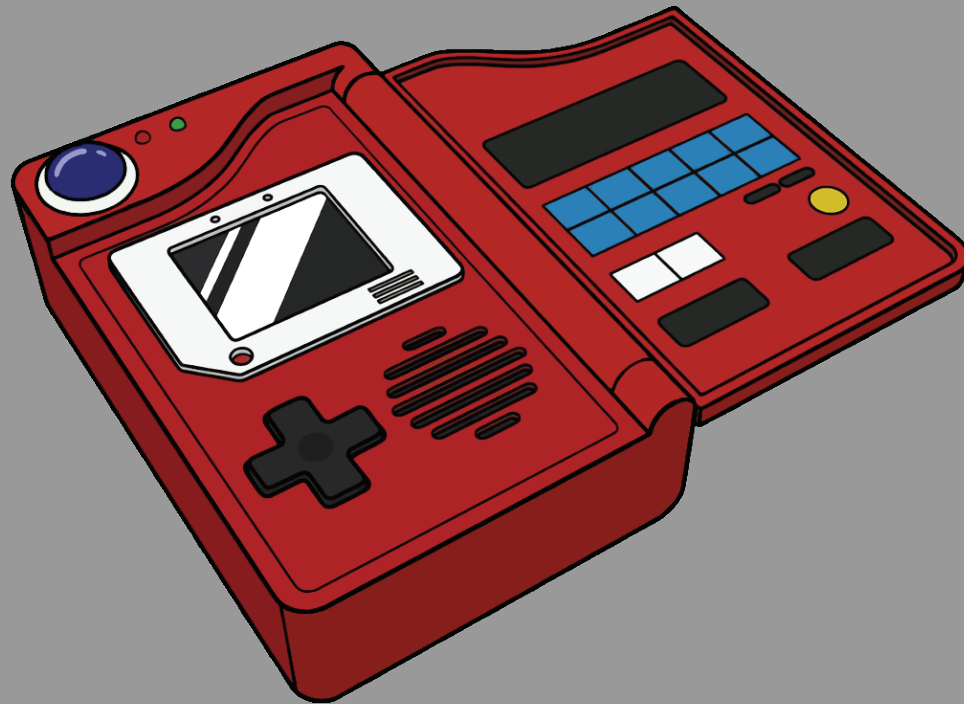


Getting to know your

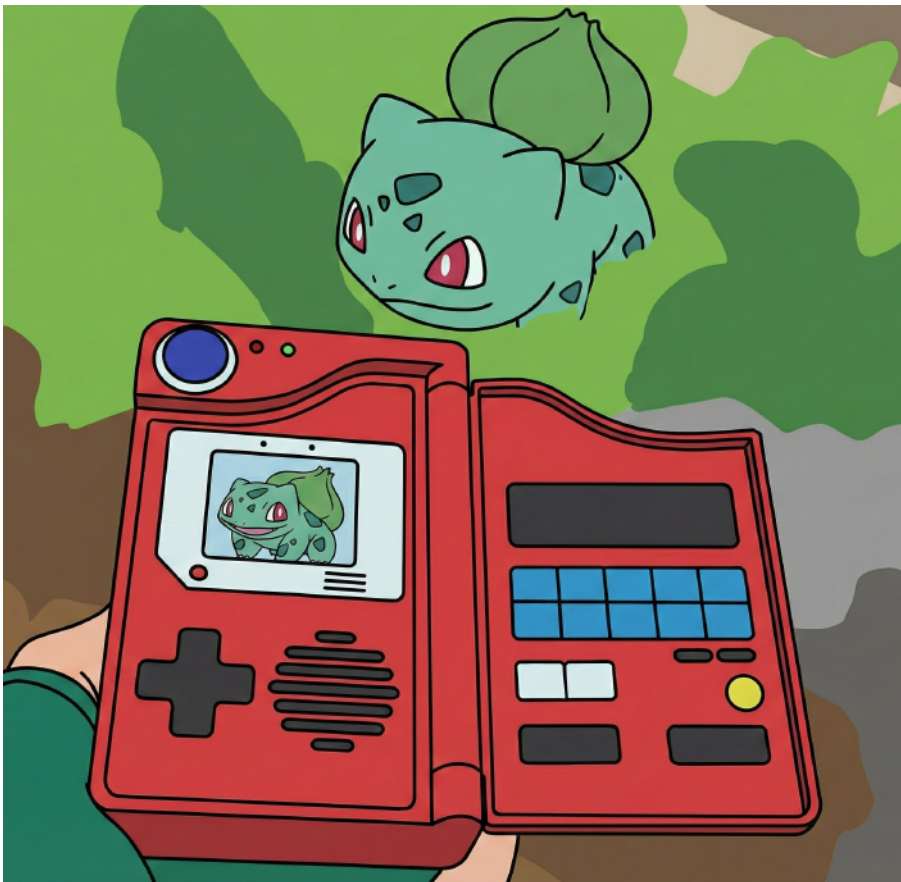
# Pokédex



Model: HANDY505  
Instruction Manual

# The Pokédex

Congratulations on taking the first step towards becoming a Pokémon Master by acquiring a Pokédex.



The Pokédex is a vital tool for Pokémon trainers!

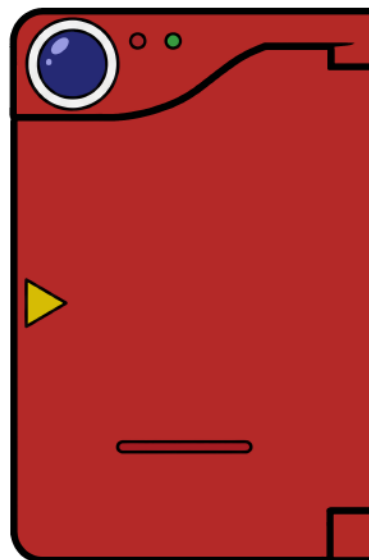
It contains extensive data and information on every known Pokémon species.

It's a hi-tech encyclopedia!

Using the built-in camera + AI image analyzer, the Pokédex can identify any Pokémon instantly.

Technology is incredible!

# Specifications



*Manufacturer*  
Silph Company

*Model#*  
HANDY505

*Pokémon Database*  
OAK\_DATA\_V3.14

*Artificial Intelligence*  
Dexter

*Dimensions*  
85mm x 125mm x 40mm

*Weight*  
250 grams (with battery)

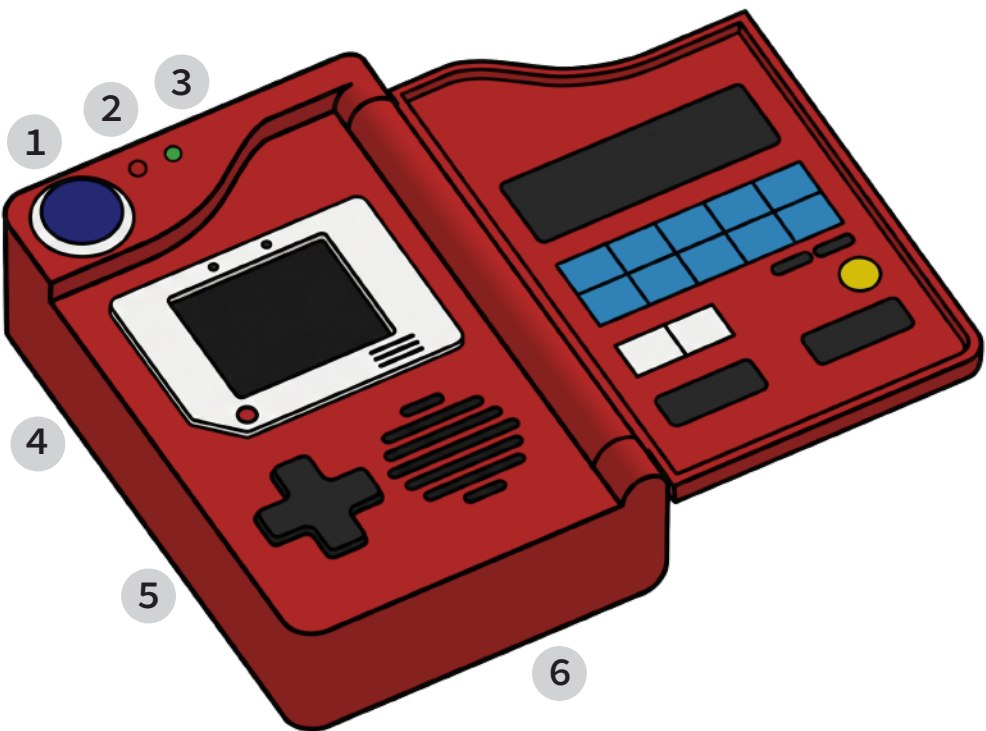
# Legal Disclaimer

WARNING! Pokémon training can be highly dangerous and even fatal. You are responsible for your own safety at all times. By using the Pokédex, you are agreeing to the following:

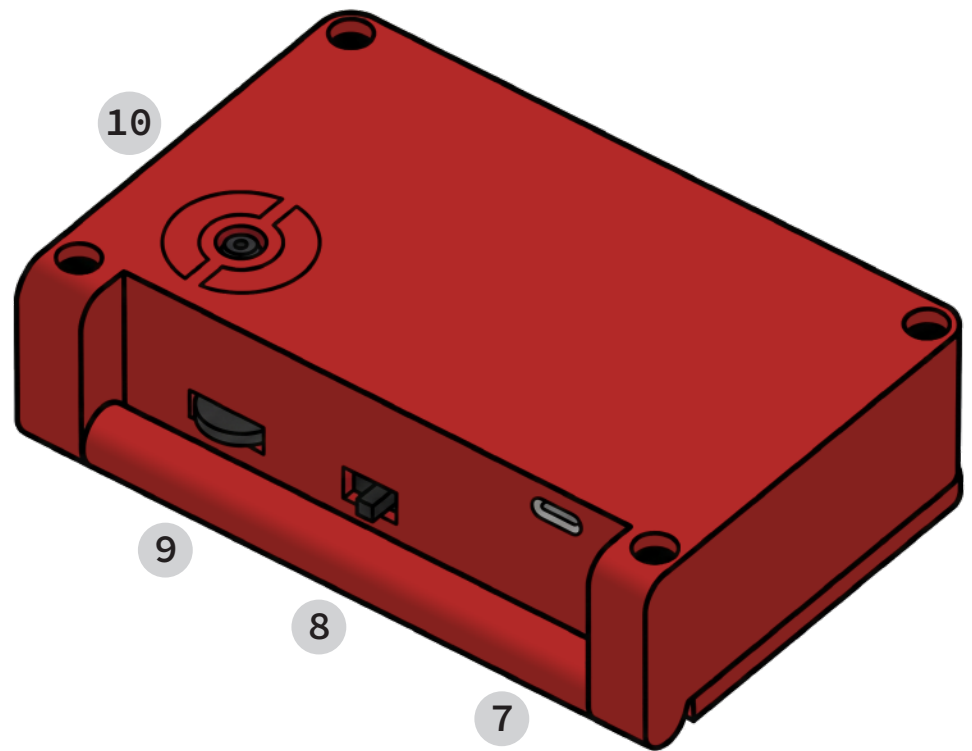
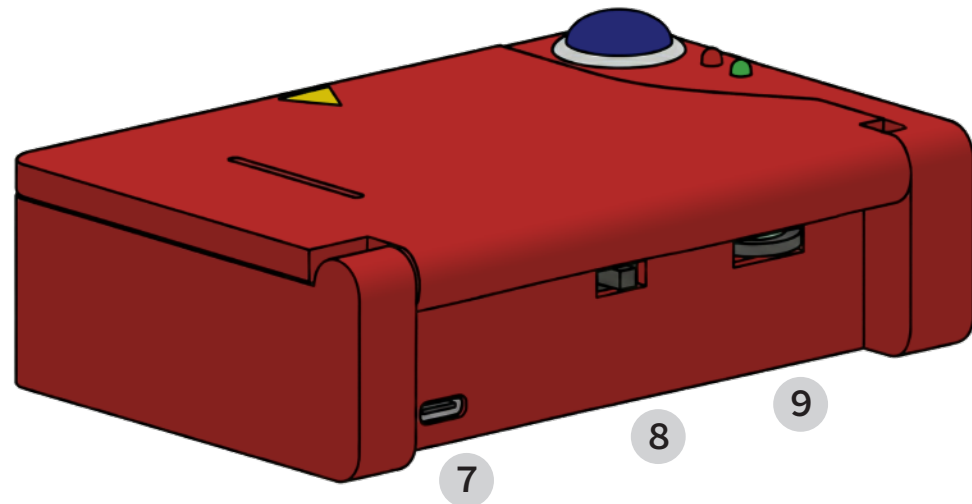
You acknowledge and agree that although the advice and information provided to you by the Pokédex is as scientifically accurate as possible, that Pokémon are wild and dangerous creatures that can be unpredictable.

Silph Co. and its associates assume no responsibility for any harm, damage, or loss caused by direct or indirect use of the Pokédex or any other Silph Co. products.

# Description Of Parts



- 1 - Blue Indicator LED
- 2 - Red "Charging" LED
- 3 - Green "Fully Charged" LED
- 4 - LCD Screen
- 5 - Directional Pad (D-Pad)
- 6 - Speaker



# Caring For Your Pokédex



Keep your Pokédex protected from dust and moisture at all times.



DO NOT allow your Pokédex to fall or endure extreme impacts.



Keep your Pokédex out of direct sunlight whenever possible. Exposure to high temperatures can permanently damage your Pokédex.



DO NOT allow Pokémon to handle your Pokédex.



Never lose track of your Pokédex. If lost or stolen, it cannot be replaced.

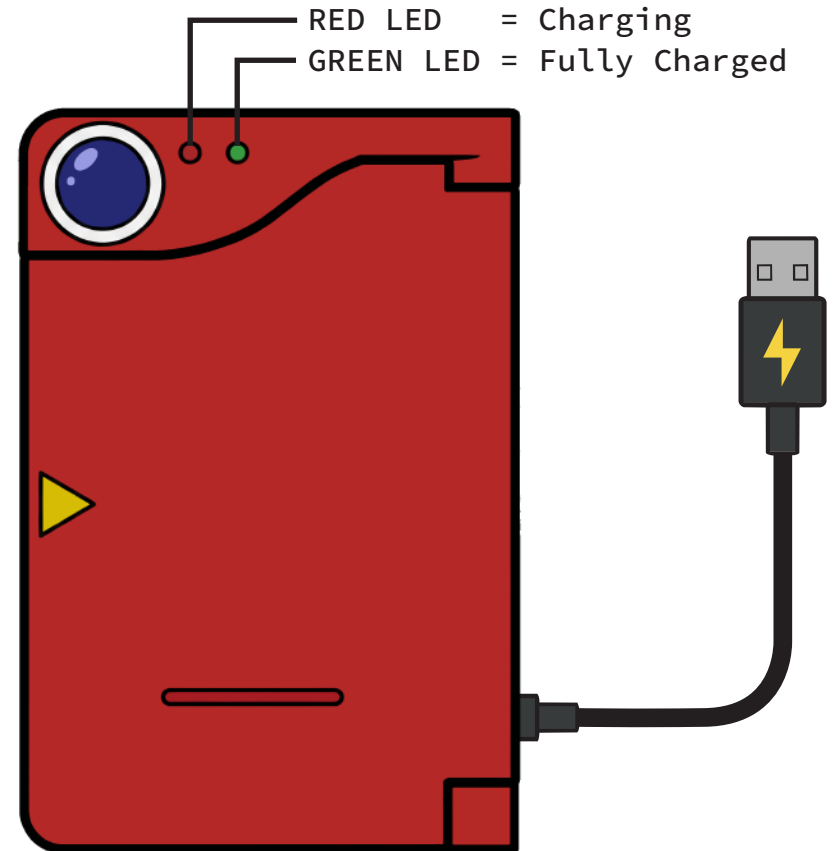


The screen can be cleaned with screen cleaner + a microfiber cloth. Spray the cleaner onto the cloth and then wipe the screen. Avoid spraying directly onto the screen.

# Charging The Battery

The Pokédex contains a built-in rechargeable Lithium-ion battery that will provide many hours of use before requiring a recharge.

Plug the USB-C charging cable into the charging jack on the side of the Pokédex and one of the two smaller LEDs on the front will light up.

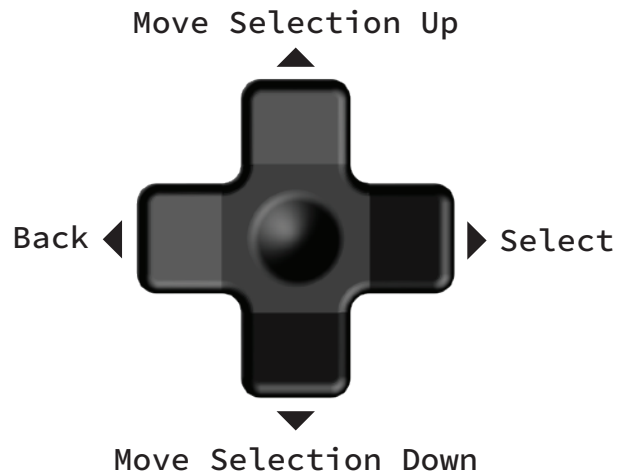


The Pokédex has overcharge protection. It is safe to leave it plugged in and charging for any amount of time.

The Pokédex can charge when plugged into any standard USB output using a USB-A to USB-C cable.

# Main Menu

The Directional Pad is used to navigate menus as well as confirm selections.



**Pokémon** - *Information on any Pokémon.*

**Type Charts** - *Advantages and Weaknesses.*

**Moves** - *Information on Moves a Pokémon can learn.*

**Trainer Tips** - *Vital information for any trainer.*

**Items** - *Information about Items for trainers.*

**Town Map** - *Maps and Regional information.*

**Songs** - *Songs to listen to on your adventure.*

**Tools** - *Trainer Card, Camera, Radio, and more!*

**Games** - *Mini Games and Pokémon Quizzes.*

**Device Info** - *Information about your Pokédex.*

**Settings** - *Set Screen Saver, WiFi and more.*



# WiFi Setup

An Internet connection over WiFi is required to use the Pokémon Image Scanner and certain other features of the Pokédex.

► **Settings** ► **WiFi** ► **Scan For WiFi Networks**

Select your WiFi Network from the list.

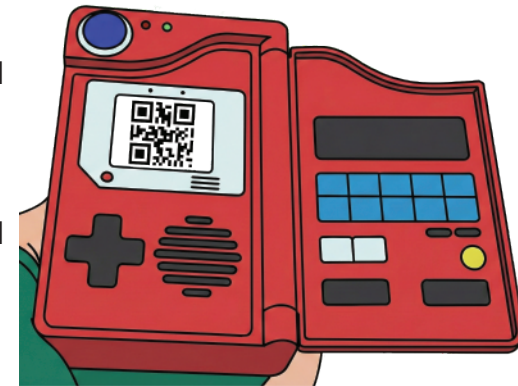
If your WiFi Network has a password, you'll be asked how you want to enter it.

► **Enter via website** ( easiest method! )

Using a smartphone, tablet, or PC open a web browser and go to: **[dexwifi.com](http://dexwifi.com)**

Enter your WiFi Password and Generate QR Code

Aim your Pokédex at the QR Code and it will load in your WiFi password and attempt to connect.



Once a WiFi Network is saved, the Pokédex will automatically connect to it when in range.

You can now **Scan For Pokémon.**

It's recommended to use a smartphone as a mobile hotspot when encountering Pokémon out in the wild, where you may be far away from other WiFi networks.

# Pokémon Menu

## National Dex

*Pokémon list by their National Dex number.*

## Regional Dex

*Select a Regional Dex to get a Pokémon list by their number for that specific region.*

## Alphabetically

*Pokémon listed in alphabetical order.*

## By Type

*Pokémon lists by type.*

## By Generation

*Pokémon lists by generation.*

## Go To PKMN #

*Quickly jump to a specific Pokémon by its National Dex number.*

## Caught List

*The list of Pokémon you've caught. You can add / remove Pokémon to this list using **Quick Edit List** or by selecting the Poké Ball icon when viewing info on a specific Pokémon. Scanned Pokémon can be added automatically by going to **▶Settings ▶Pokémon Scanner***

## Scan For Pokémon

*The Pokémon Image Scanner can identify a Pokémon using the built-in camera + AI image analyzer.*

*Turn the page for more information on the Pokémon Image Scanner.*



# Pokémon Selected

## Info

*A brief audio description of the Pokémon.*

## Cry

*An audio recording of the Pokémon's cry.*

## Stats

*Height, Weight, HP, Attack, Defense, Special Attack, Special Defense, and Speed.*

## Moves

*A list of moves the Pokémon can learn.*

## Abilities

*A list of Abilities the Pokémon may have.*

## Evolution

*A chart showing all of the evolution stages of the Pokémon.*

## Form

*See other forms of the Pokémon such as regional variants, mega evolutions, etc.*

## More

*Additional Training and Breeding Info.*



*Switch between: Front View, Back View, and Shiny Form of the Pokémon.*



*Select the Poké Ball icon to add / remove this Pokémon from the Caught List.*

# Pokémon Image Scanner

The Pokémon Image Scanner can identify a Pokémon using the built-in camera + AI image analyzer.

**NOTE:** An Internet connection over WiFi is required to use the Pokémon Image Scanner.

## ▶ Pokémon ▶ Scan For Pokémon



Simply point the Pokédex's camera at the target and capture a photo to be analyzed.

Press **UP** / **DOWN** to zoom the camera in / out.

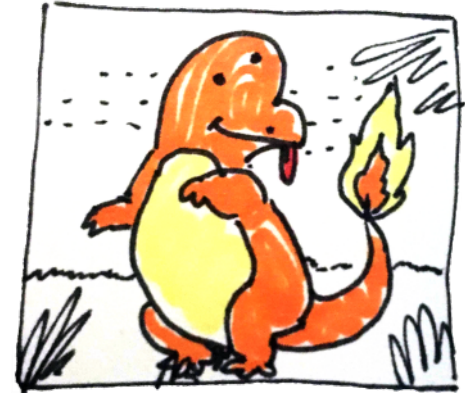
Make sure to get a clear shot, showing the front of the Pokémon for the best results.

There should only be a single Pokémon in frame.

A well lit subject will be easier to identify. Turn on some lights, or use a flashlight when hunting for Pokémon at night.

Blurry photos are much harder to analyze. Hold the Pokédex perfectly still when taking photos. If the Pokémon is moving quickly, wait for it to stop before taking a photo.

The Pokémon Image Scanner works on Pokémon drawings, Pokémon plushies / toys, Pokémon cards, and of course on real Pokémon too.



**NOTE:** AI Image Recognition Technology isn't perfect and may struggle to identify more recently discovered Pokémon. It may also mix-up Pokémon that look very similar such as Pidgeotto and Pidgeot.

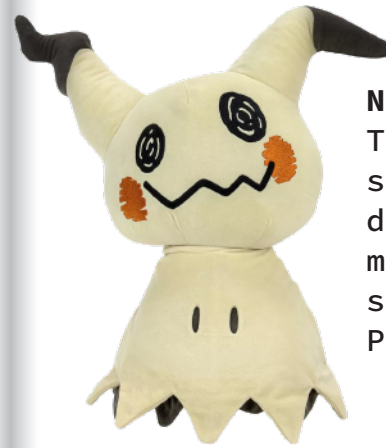


Image analysis occurs on remote Silph Co. servers. As AI Image Recognition Technology improves, updates will be made on these remote servers which will improve the Pokédex's identification accuracy.



# Type Charts

The Type Charts show which types of Pokémon moves are strong or weak against each type of Pokémon. After selecting a type, you can press **UP** or **DOWN** to see a different chart.

FIGHTING	
Attack	Damage Dealt
x2	NORMAL ICE ROCK DARK STEEL
x½	POISON FLYING PSYCHIC BUG FAIRY
x0	GHOST
Defend	Damage Taken
x½	BUG ROCK DARK
x2	FLYING PSYCHIC FAIRY

## EXAMPLES

**Attack** Damage Dealt

**FIGHTING** type move

attacking **ROCK** type Pokémon

**x2** It's super effective!

**Defend** Damage Taken

**FIGHTING** type Pokémon

hit with a **BUG** type move

**x½** It's not very effective.

## ► Type Charts ► Effect Calculator

The **Type Effectiveness Calculator** allows you to input the Attacking Move Type and Defending Pokémon's types to see how effective the attack will be.

Effectiveness Calculator	
Attacking Move Type	Defending PKMN Type
<b>ELECTR</b>	<b>x4</b> WATER FLYING
It's super effective!	

# Moves

## By Name

*Pokémon Move list in alphabetical order.*

## By Type

*Pokémon Move lists by type.*

## TMs / HMs

*Technical Machines / Hidden Machines*

# Trainer Tips

Here you will find a wealth of helpful information that any successful Pokémon trainer should be familiar with.

# Items

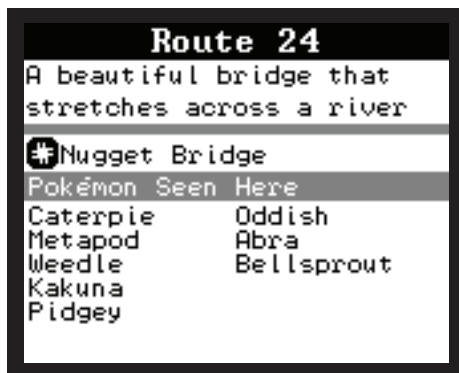
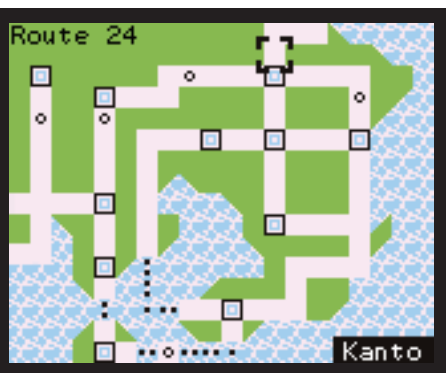
There are many useful items that Pokémon trainers should know how and when to use.

Many of these items are manufactured by Silph Co. and are available for purchase at any of Poké Mart's convenient locations.



# Town Map

The Pokédex has built in Town Maps for various regions Pokémon trainers may visit. Important locations are listed such as: Pokémon Centers, Poké Marts, and GYMs as well as a list of Pokémon seen in each area.



Press **UP** / **DOWN** to cycle through locations.  
Press **RIGHT** to see more info about a location.

# Songs

Music has been scientifically proven to boost the mood and focus of not only humans but of Pokémon as well.

The Pokédex has many different songs to be played during training, traveling, or resting.

# Tools

- Trainer Card
- Camera
- Photo Album
- Radio
- and more!



# Games

The Pokédex includes a selection of Mini Games and Pokémon Quizzes for your enjoyment.

# Device Info

System information about your Pokédex.

# Settings

## WiFi

*Add / remove WiFi Networks.  
View WiFi signal strength / details.*

## Updates

*The Pokédex is able to update its software over the Internet using WiFi.*

## Pokémon Scanner

*Change what happens after a Pokémon is identified using the Pokémon Image Scanner.*

## Start Up Sound

*Sound that plays when the Pokédex powers on. To disable the Start Up Sound, select "None".*

## Fast Start Up

*Turning this on will skip the POST (Power On Self Test) and go directly to the Main Menu.*

## Background Color

*The color of the background for menus.*

## Main Menu

*Change the Widget and Screen Saver that appear on the Main Menu.*

# Troubleshooting

## PROBLEM

## POSSIBLE CAUSE

Nothing happens when switched on.

Battery is dead.  
Recharge the battery by plugging a USB cable into the Pokédex until the Green LED comes on.

The Red LED does not come on when plugged in.

Possible issue with USB cable or charger.  
Try using a different USB cable and charger.  
Charging with a USB-C to USB-C cable may not work.  
USB-A to USB-C is recommended.

Error Code: 15  
Text is displayed, but some images do not appear.

Storage System Error.  
Turn off Pokédex.  
Wait 10 seconds.  
Turn on Pokédex.

Audio sounds strange or is not working at all.

The battery may be low.  
Recharge the battery.

Unable to connect to WiFi Network.

Move closer to your WiFi source.  
Check to make sure your WiFi Password is correct.  
Forget the Saved Network and go through WiFi Setup again.

**For all unresolved issues,  
please contact Silph Company**

# Silph Company

Silph Company is dedicated to creating the highest quality tools for Pokémon Trainers.

For any questions, comments, feature suggestions, bug reports, or issues with your Pokédex, please send us an email!

## Email

*info@SilphCoProducts.com*

## Website

*SilphCoProducts.com*

## Location

*Saffron City, Kanto Region*

